

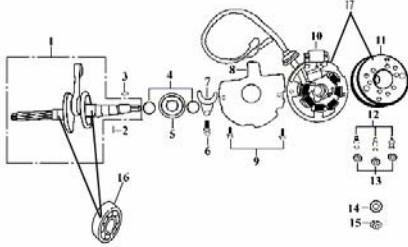
**ENGINE
PARTS LIST
CPI**

04A-00801-08-00

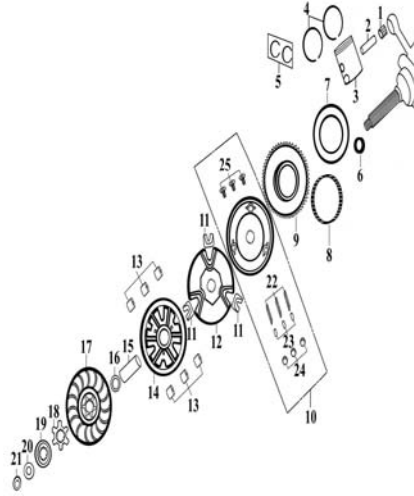
CONTENTS-ENGINE GROUP

GTR-50

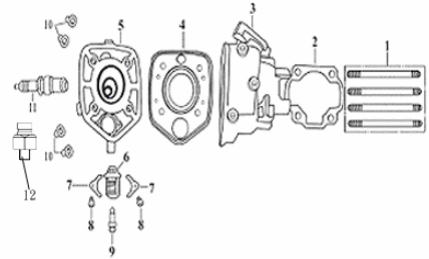
E1 GENERATOR & CRANKSHAFT



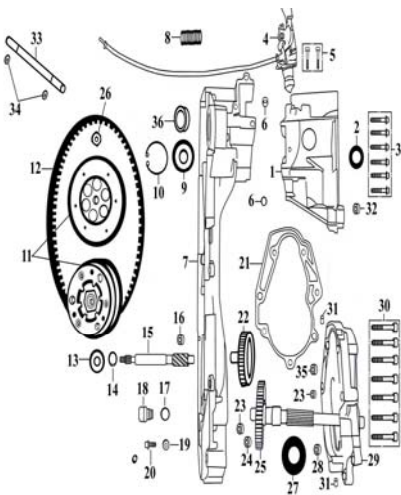
**E2 PISTON & DRIVE FACE
STARTER CLUTCH OUTER ASSY**



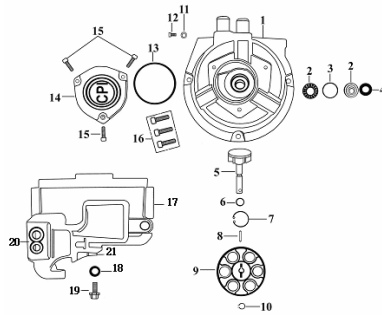
E3 CYLINDER



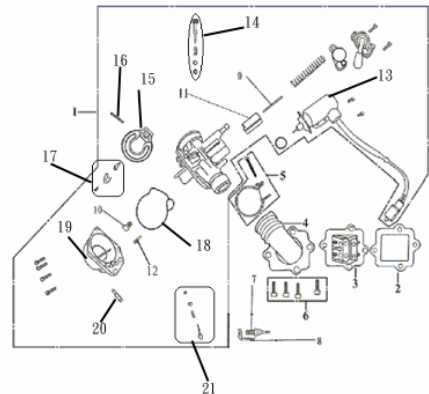
**E4 CRANKCASE & OIL PUMP &
CLUTCH & TRANSMISSION**



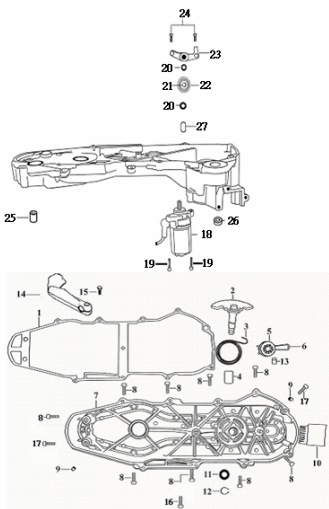
E5 R. CRANK CASE COVER



E6 CARBURETOR



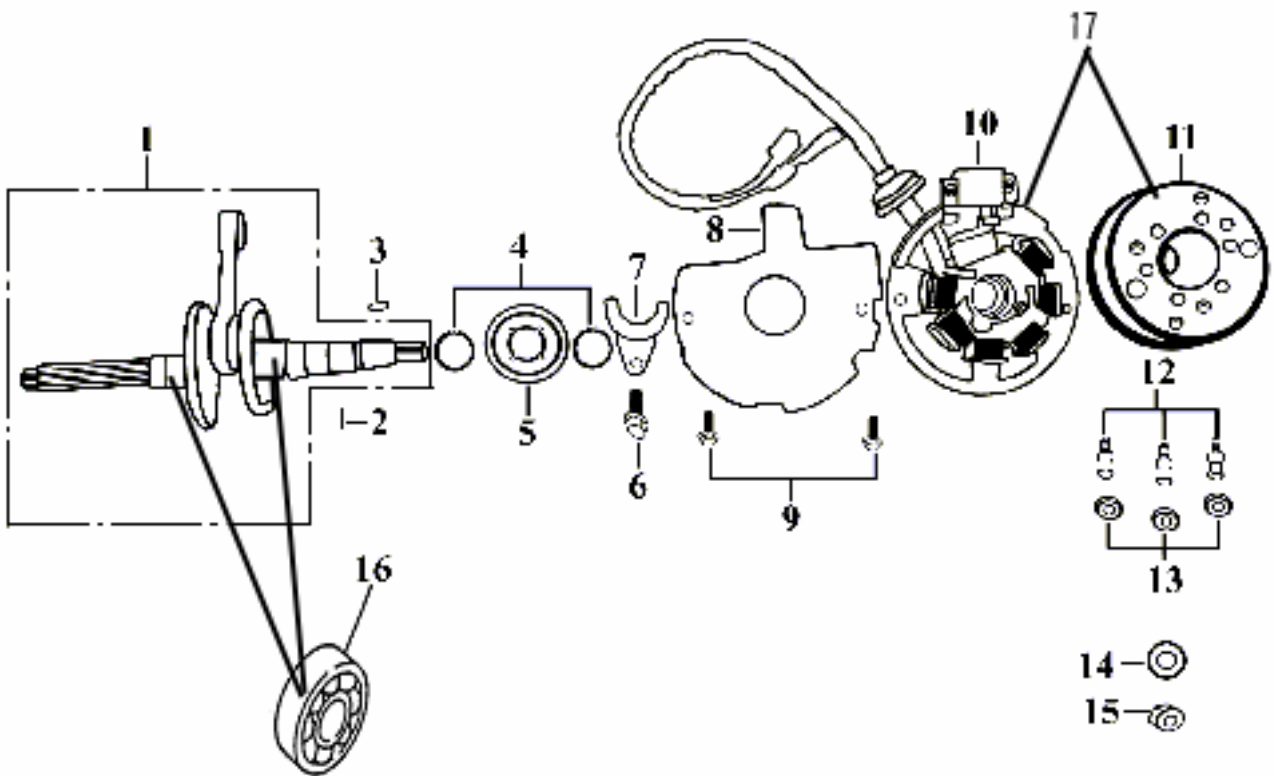
E7 STARTER & L. COVER COMP



E1

CRANK SHAFT/GENERATOR

GTR



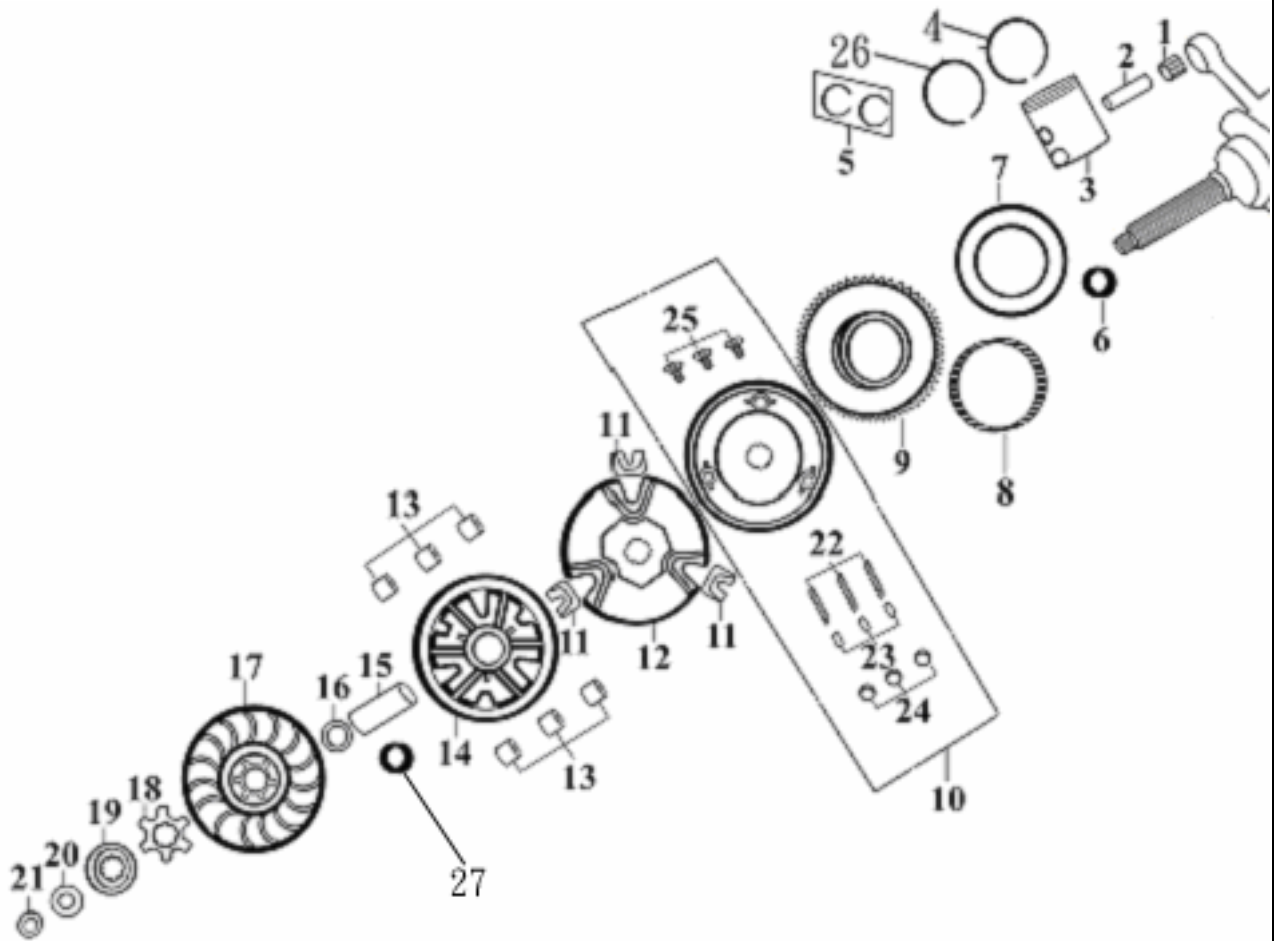
E1**CRANK SHAFT/GENERATOR**

| NO. | PART NO. | DESCRIPTION | GTR | |
|-----|-----------------|-----------------------|-----|--|
| | | | | |
| 1 | 64A-04100-00-00 | CRANK SHAFT COMP. | 1 | |
| 2 | S-4302-03117-00 | DOWEL PIN 3X11.7 | 1 | |
| 3 | 64A-04151-00-00 | WOORDRUFF KEY 3X13 | 1 | |
| 4 | S-4511-12190-00 | CIR-CLIP 9MM | 2 | |
| 5 | 61A-05211-00-00 | OIL PUMP DRIVEN GEAR | 1 | |
| 6 | S-3500-06012-03 | FLANGE BOLT M6X12 | 1 | |
| 7 | 61A-01161-00-00 | OIL SEAL HOLDER | 1 | |
| 8 | 64A-08256-10-00 | A.C.G. GASKET | 1 | |
| 9 | S-3500-06016-03 | PAN HEAD SCREW 6X16 | 2 | |
| 10 | 64A-21120-00-00 | BASE ASSY. | 1 | |
| 11 | 64A-21110-00-00 | A.C.G. FLYWHEEL COMP. | 1 | |
| 12 | 64A-01456-00-00 | BOLT | 3 | |
| 13 | 64A-01457-00-00 | RUBBER RING | 3 | |
| 14 | S-4101-12226-61 | PLATE WASHER 12X22X3 | 1 | |
| 15 | S-4001-12000-01 | FLANGE NUT 12MM | 1 | |
| 16 | S-6129-06204-00 | BEARING6204 | 2 | |
| 17 | 64A-21100-00-00 | A.C.G ASSY. | 1 | |

E2

CLUTCH/PISTON

GTR



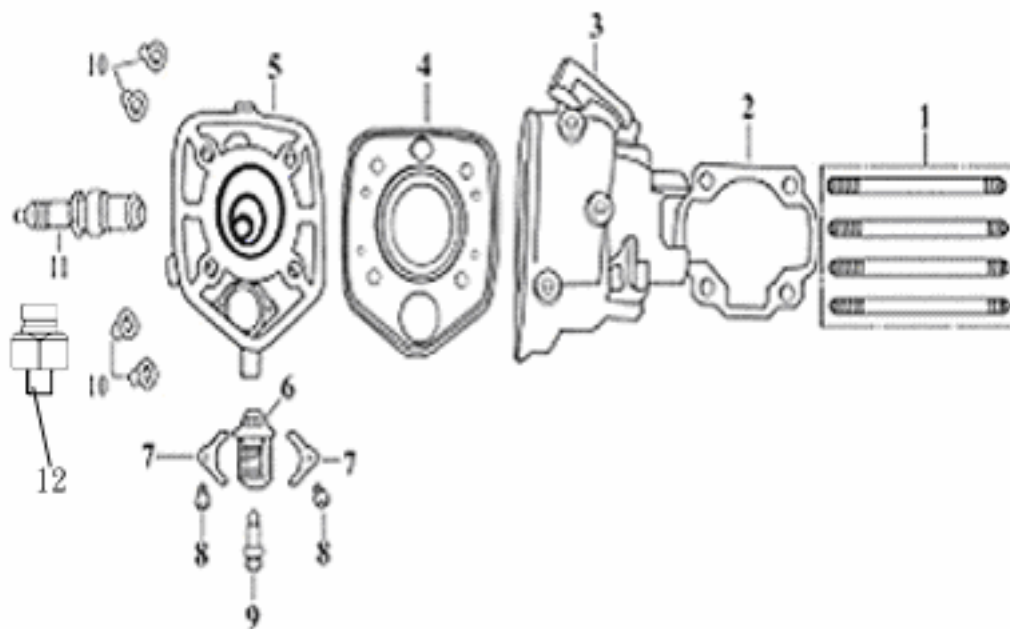
CLUTCH

| NO. | PART NO. | DESCRIPTION | | |
|-----|-----------------|------------------------------------|-----|------------------|
| | | | GTR | |
| 1 | 64A-04116-00-00 | CON-ROD SMALL END BRG. | 1 | |
| 2 | 64A-02631-00-00 | PISTON PIN | 1 | |
| 3 | 64A-02611-10-00 | PINSTON COMP. | 1 | |
| 4 | 51A-02621-00-00 | PISTON TOP RING,1 | 1 | |
| 5 | S-4602-10120-00 | PISTON PIN CLIP 12MM | 2 | |
| 6 | 64A-04153-00-00 | COLLAR | 1 | |
| 7 | 61A-22434-00-00 | PLATE WASHER 55MM (55X75X0.5) | 1 | |
| 8 | 61A-22423-00-00 | BALL BEARING 55X59X13 | 1 | |
| 9 | 61B-22511-00-00 | STARTER CLUTCH GEAR COMP. | 1 | |
| 10 | 61B-22410-20-00 | STARTER CLUTCH OUTER ASSY. | 1 | |
| 11 | 64A-12124-00-00 | SLIDE PIECE | 3 | |
| 12 | 64A-12123-00-00 | RAMP PLATE | 1 | 45&60KM &OPEN |
| | 61B-12123-00-00 | RAMP PLATE | 1 | 30KM |
| 13 | 64A-12121-00-00 | WEIGHT ROLLER COMP(5.8g) | 6 | 45&60KM |
| | F05-12121-00-00 | WEIGHT ROLLER COMP(6.3g) | 6 | 30KM |
| | F06-12121-00-00 | WEIGHT ROLLER COMP(4.0g) | 6 | OPEN |
| 14 | 64A-12110-00-00 | MOVABLE DRIVE FACE ASSY. | 1 | 45&60KM &OPEN |
| | 61B-12110-00-00 | MOVABLE DRIVE FACE ASSY | 1 | 30KM |
| 15 | 64A-12133-00-00 | DRIVE FACE BOSS | 1 | |
| 16 | S-4101-16213-21 | PLATE WASHER 16MM | 1 | |
| 17 | 61B-12131-10-00 | DRIVE FACE | 1 | |
| 18 | 61B-12136-00-00 | CLAW WASHER | 1 | |
| 19 | 61B-17261-00-00 | KICK RATACHET | 1 | |
| 20 | S-4102-10246-00 | CONICAL SPRING WASHER 10MM | 1 | |
| 21 | S-4001-10000-04 | HEX. NUT 10MM | 1 | |
| 22 | 61B-22414-00-00 | STARTER CLUTCH ROLLER SPRING | 3 | |
| 23 | 61B-22415-00-00 | STARTER CLUTCH ROLLER SPRING COVER | 3 | |
| 24 | 61B-22413-00-00 | ROLLER 6X7 | 3 | |
| 25 | S-3600-05007-03 | FLAT HEAD SCREW 5X7 | 3 | |
| 26 | 51A-02622-00-00 | PISTON TOP RING,2 | 1 | |
| 27 | 64A-12139-00-00 | SPACER(5.1mm) | 1 | 45KM |
| | F07-12139-00-00 | SPACER(6.0mm) | 1 | 30KM |

E3

CYLINDER

GTR



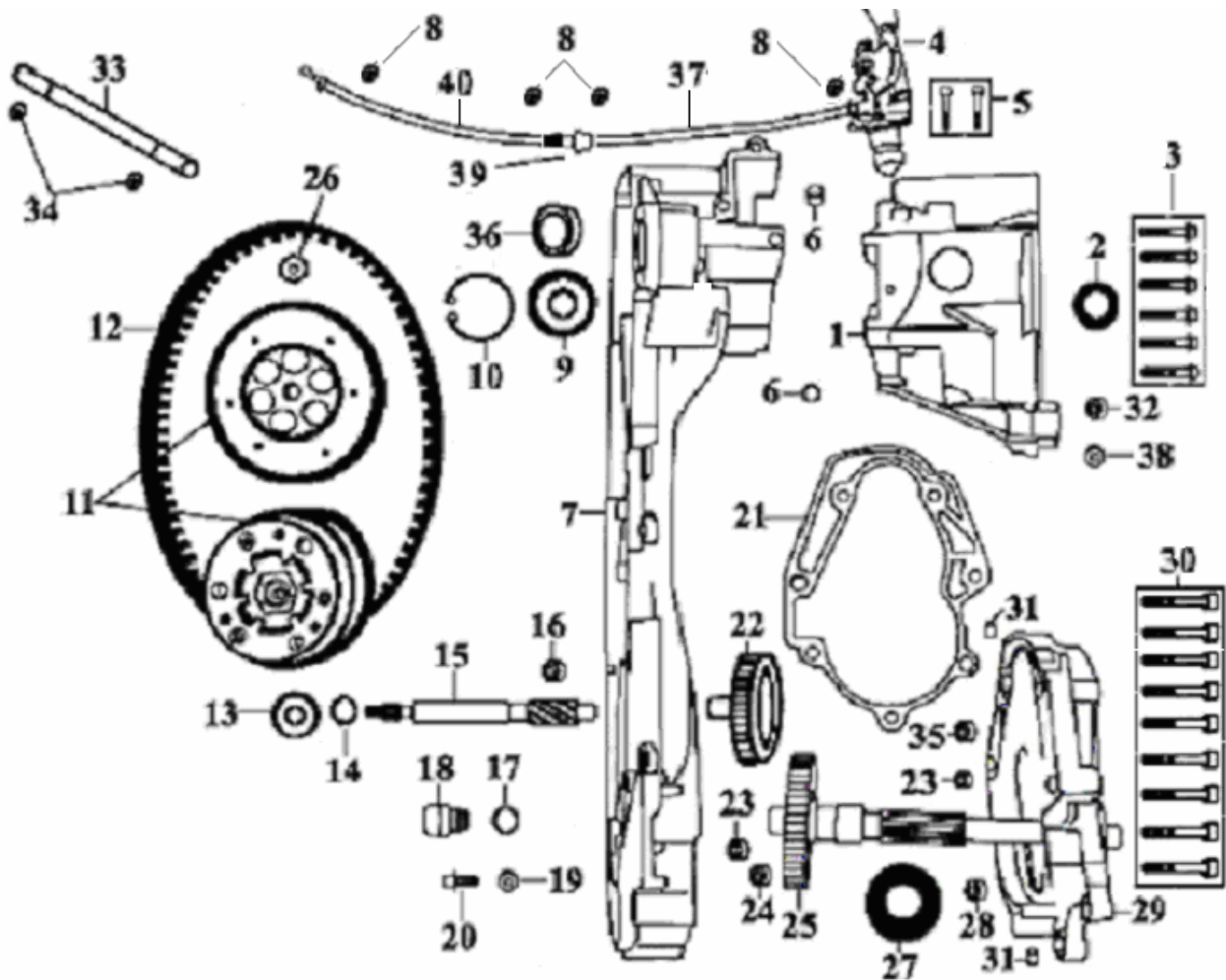
E3**CYLINDER**

| NO. | PART NO. | DESCRIPTION | GTR | |
|-----|-----------------|----------------------|-----|------------------|
| | | | | |
| 1 | 64A-02422-10-00 | STUD BOLT | 4 | |
| 2 | 64A-08216-10-00 | CYLINDER GASKET | 1 | |
| 3 | F03-02400-00-00 | CYLINDER | 1 | 45&60KM &OPEN |
| | 64A-02400-00-00 | CYLINDER | 1 | 30KM |
| 4 | 64A-08111-10-00 | CYLINDER HEAD GASKET | 1 | |
| 5 | F04-02511-00-00 | CYLINDER HEAD | 1 | 45&60KM &OPEN |
| | 64A-02511-00-00 | CYLINDER HEAD | 1 | 30KM |
| 6 | 64A-02525-00-00 | THARMOSTAT | 1 | |
| 7 | 64A-02526-00-00 | SETTING PLATE | 2 | |
| 8 | S-6700-04005-03 | SCREW M4X5 | 2 | |
| 9 | 64A-02527-10-00 | VENTING SCREW | 1 | |
| 10 | S-4050-07000-04 | FLANGE NUT 7MM | 4 | |
| 11 | 64A-23111-00-00 | SPARK PLUG BR8ES | 1 | 30&45& 60KM |
| | 51A-23111-00-00 | SPARK PLUG BR10ES | 1 | OPEN |
| 12 | 64A-06530-10-00 | TEMPERATURE SWITCH | 1 | |

E4

CRANK CASE

GTR



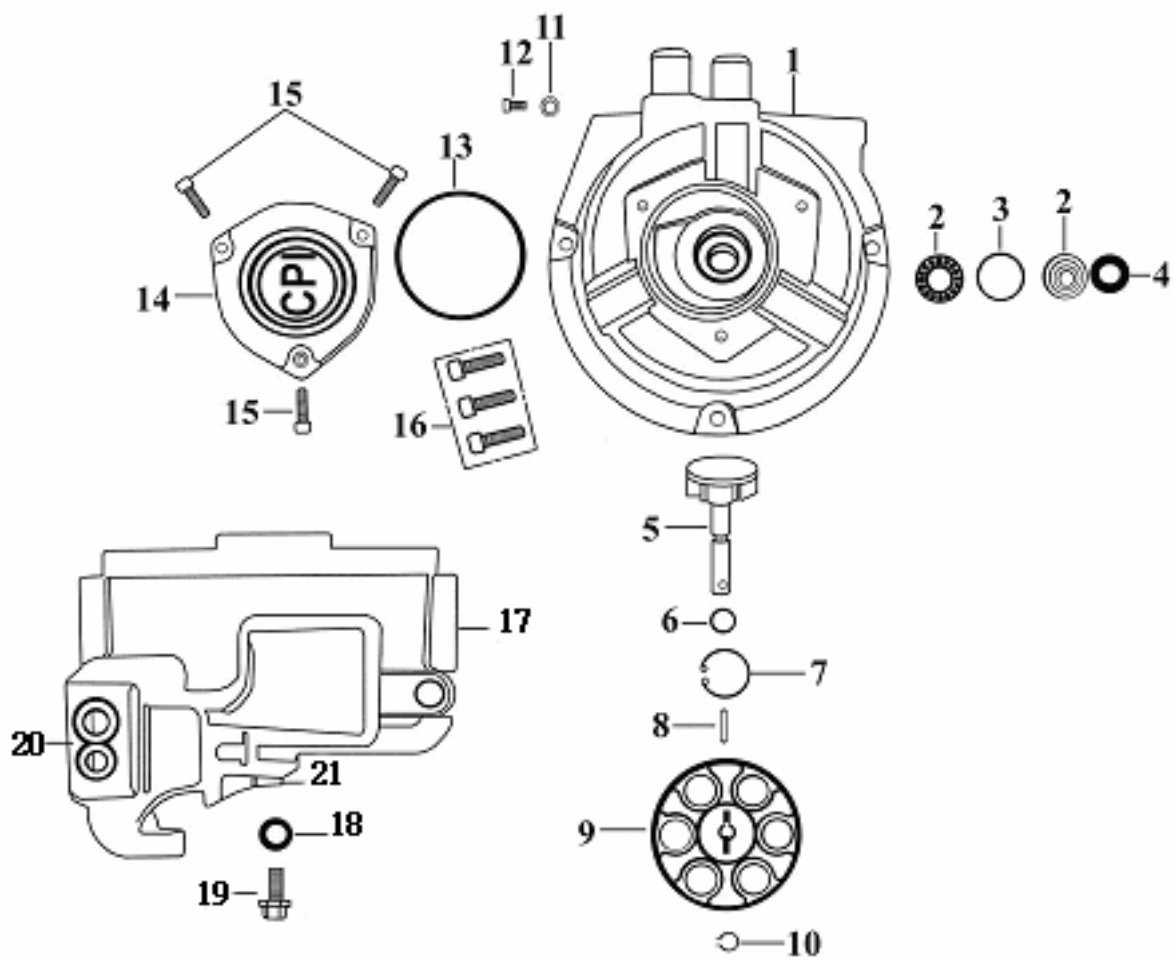
E4**CRANK CASE**

| NO. | PART NO. | DESCRIPTION | GTR | |
|-----|-----------------|--------------------------|-----|--|
| | | | | |
| 1 | 64A-01101-00-00 | L. CRANK CASE COVER | 1 | |
| 2 | 64A-01113-00-00 | OIL SEAL 6206 | 1 | |
| 3 | S-6001-06035-03 | FLANGE BOLT 6X35 | 6 | |
| 4 | 64A-05100-10-00 | OIL PUMP ASSY. | 1 | |
| 5 | S-3500-05014-03 | PAN HEAD SCREW 5X14 | 2 | |
| 6 | S-4301-12160-00 | DOWEL PIN 12X16 | 2 | |
| 7 | 64A-01201-00-00 | L. CRANK CASE 17" | 1 | |
| 8 | A-4202-08090-00 | CIRCLIP 8x9 | 2 | |
| 9 | S-1238-20042-80 | OIL SEAL 20 42/43 8/9 | 1 | |
| 10 | S-4521-18420-00 | CIR-CLIP 42m/m | 1 | |
| 11 | F02-12400-00-00 | DRIVEN PULLEY ASSY. | 1 | |
| 12 | 64A-12211-00-00 | DRIVE BELT | 1 | |
| 13 | S-1201-17035-70 | OIL SEAL 17X35X7 | 1 | |
| 14 | S-4511-10170-00 | CIR-CLIP 17MM | 1 | |
| 15 | 64A-15111-00-00 | DRIVE SHAFT | 1 | |
| 16 | S-6123-06203-00 | BALL BEARING 6203C3 | 1 | |
| 17 | S-1305-24138-00 | O-RING 13.8X2.4 | 1 | |
| 18 | 61A-01251-00-00 | OIL PLUG | 1 | |
| 19 | S-4101-08143-50 | PLATE WASHER 8MM | 1 | |
| 20 | S-5800-08012-03 | SPECIAL BOLT 8X12 | 1 | |
| 21 | 64A-08203-10-00 | MISSION CASE GASKET | 1 | |
| 22 | 64A-16110-00-00 | COUNTER SHAFT COMP. | 1 | |
| 23 | S-6120-06201-00 | BALL BEARING 6201 | 2 | |
| 24 | S-6120-06202-00 | BALL BEARING 6202 | 1 | |
| 25 | 64A-16170-00-00 | FINAL SHAFT COMP. | 1 | |
| 26 | S-4050-10000-04 | FLANGE NUT 10MM | 1 | |
| 27 | S-1261-00003-00 | OIL SEAL | 1 | |
| 28 | S-6120-06204-40 | BALL BEARING 6204JR2CS31 | 1 | |
| 29 | 64A-01501-00-00 | MISSION CASE COMP | 1 | |
| 30 | S-6701-08050-03 | FLANGE BOLT 8X50 | 9 | |
| 31 | S-4301-10160-00 | DOWEL PIN 10X16 | 2 | |
| 32 | S-6120-06003-40 | BALL BEARING 6003LU | 1 | |
| 33 | 64A-01141-00-00 | ENGINE MOUNT SPACER | 1 | |
| 34 | S-4511-10170-00 | CIR-CLIP 17MM | 2 | |
| 35 | S-6120-06002-10 | BALL BEARING 6002-KS | 1 | |
| 36 | 61A-22521-00-00 | GEAR BOSS | 1 | |
| 37 | 64A-05511-00-00 | OIL PUMP TUBE,1 | 1 | |
| 38 | 64A-01263-00-00 | BREATHER HOSE | 1 | |
| 39 | 51A-05236-00-00 | OIL CLEANER | 1 | |
| 40 | 64A-05514-00-00 | OIL PUMP TUBE,2 | 1 | |

E5

WATER PUMP

GTR



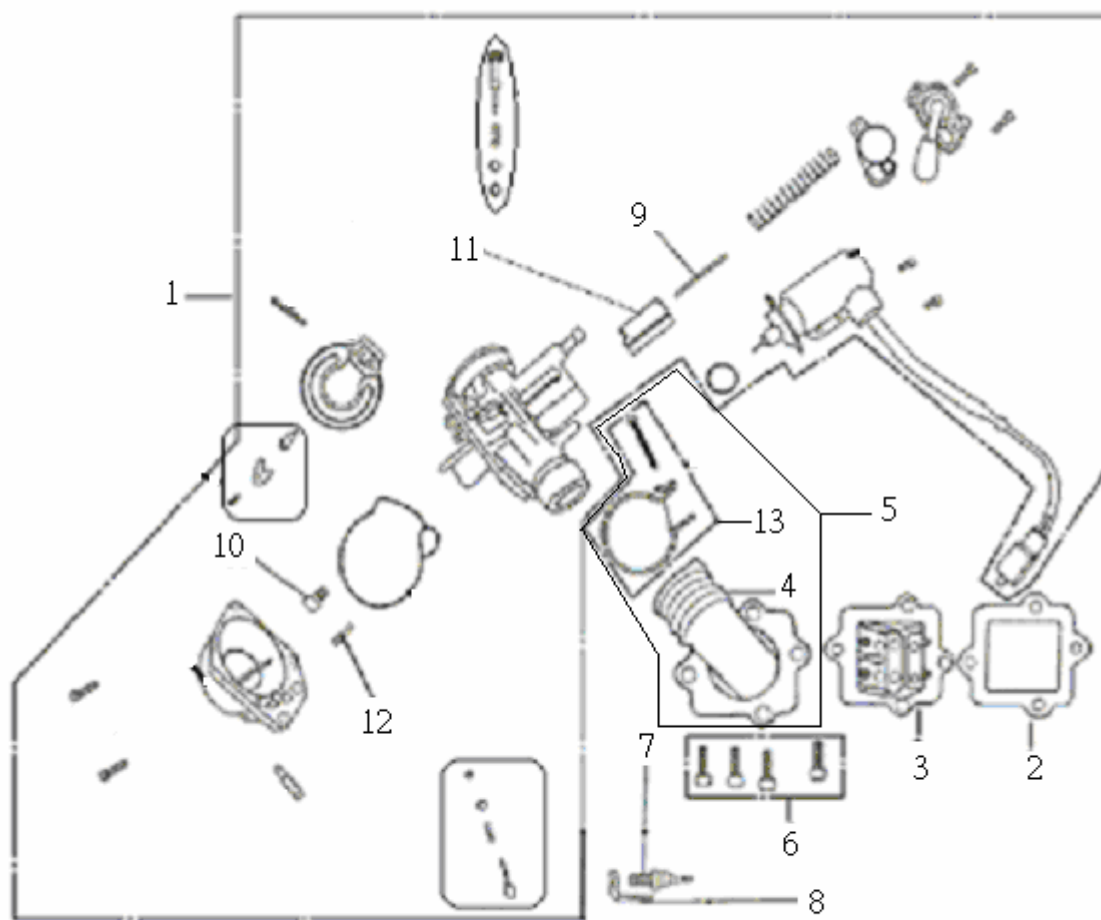
E5**WATER PUMP**

| NO. | PART NO. | DESCRIPTION | GTR | |
|-----|-----------------|-----------------------|-----|--|
| | | | | |
| 1 | 64A-01431-00-69 | R. CRANK CASE COVER | 1 | |
| 2 | S-6120-00608-10 | BALL BEARING 608Z | 2 | |
| 3 | 64A-01445-00-00 | COLLAR,1 | 1 | |
| 4 | S-1201-01018-50 | OIL SEAL 10x18x5 | 1 | |
| 5 | 64A-01610-00-00 | WATER PUMP ASSY. | 1 | |
| 6 | 64A-01446-00-00 | COLLAR,2 | 1 | |
| 7 | S-4521-01022-00 | CLIP 22x1 | 1 | |
| 8 | 64A-01447-00-00 | PIN | 1 | |
| 9 | 64A-01455-00-00 | WATERPUMP DRIVER | 1 | |
| 10 | S-4511-08080-00 | CLIP | 1 | |
| 11 | S-4101-05084-50 | WASHER | 1 | |
| 12 | S-6700-04008-04 | SOLKET BOLT 4X8 | 1 | |
| 13 | S-1301-18575-00 | O-RING 57.5X1.8 | 1 | |
| 14 | 64A-01451-00-69 | WAER PUMP COVER | 1 | |
| 15 | S-6700-06012-04 | SOLKET BOLT 6x12 | 3 | |
| 16 | S-6700-06025-04 | SOLKET BOLT 6x25 | 3 | |
| 17 | 64A-07164-00-00 | COVER CRANKCASE RIGHT | 1 | |
| 18 | 64A-07165-00-00 | BUSH | 1 | |
| 19 | S-6000-05012-03 | BOLT 5*12 | 1 | |
| 20 | 64A-07128-00-00 | GROMMET,2 | 1 | |
| 21 | 64A-07118-00-00 | GROMMET,1 | 1 | |

E6

CARBURTOR

GTR



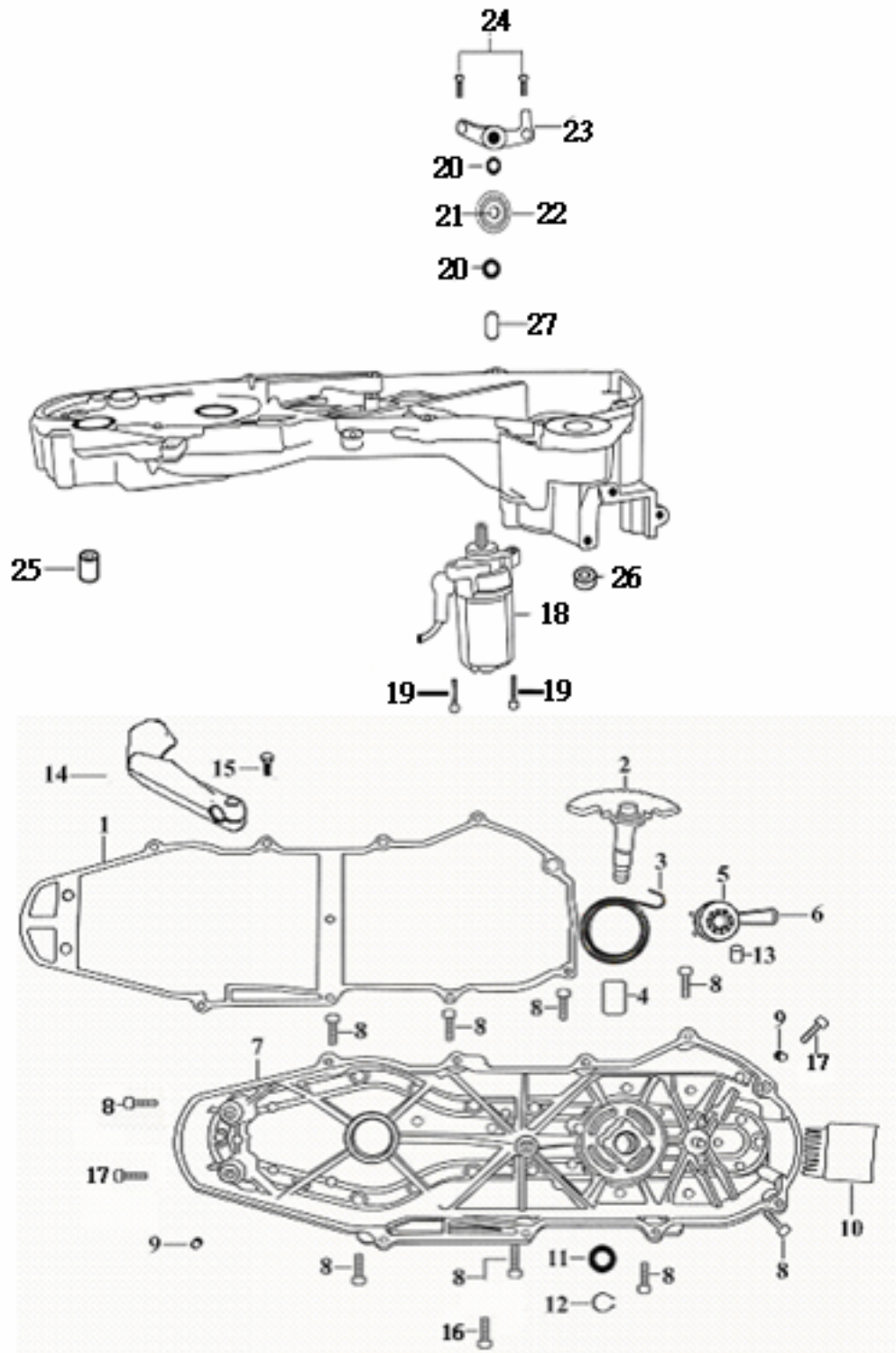
E6**CARBURTOR**

| NO. | PART NO. | DESCRIPTION | GTR | |
|-----|-----------------|---------------------------------------|-----|------------------------------|
| | | | | |
| 1 | F20-09400-00-00 | Dell'orto CARBURETOR ASSY | 1 | 45KM |
| | F21-09400-00-00 | Dell'orto CARBURETOR ASSY. | 1 | 30KM |
| | F22-09400-00-00 | Dell'orto CARBURETOR ASSY | 1 | 60KM |
| | F23-09400-00-00 | Dell'orto CARBURETOR ASSY | 1 | OPEN |
| 2 | 64A-08251-10-00 | VALVE SEAT GASKET | 1 | |
| 3 | 64A-09240-00-00 | REED VALVE ASSY. | 1 | |
| 4 | F01-09211-00-00 | INTAKE MANIFOLD | 1 | 30&45&60KM |
| | F02-09211-00-00 | INTAKE MANIFOLD | 1 | OPEN |
| 5 | F01-09200-00-00 | INTAKE MANIFOLD ASSY. | 1 | |
| 6 | S-6700-06020-02 | SOCKET BOLT 6X20 | 4 | |
| 7 | 64A-23181-00-00 | CARBURETOR HEATER | 1 | |
| 8 | 64A-23186-00-00 | TERMINAL | 1 | |
| 9 | F20-09413-00-00 | NEEDLE (A29/2 nd from top) | 1 | 30&45&60KM |
| | F23-09413-00-00 | NEEDLE | 1 | OPEN(Need your confirmation) |
| 10 | F20-09410-00-00 | MAIN JET #48 | 1 | 45KM |
| | F21-09410-00-00 | MAIN JET #44 | 1 | 30KM |
| | F22-09410-00-00 | MAIN JET #50 | 1 | 60KM |
| | F23-09410-00-00 | MAIN JET (待確認) | 1 | OPEN |
| 11 | F20-09411-00-00 | SLIDE VALVE (14230.30.64) | 1 | 30&45&60KM |
| | F23-09411-00-00 | SLIDE VALVE | 1 | OPEN(Need your confirmation) |
| 12 | F20-09372-00-00 | IDLE JET | 1 | 30&45&60KM |
| | F23-09372-00-00 | IDLE JET | 1 | OPEN(Need your confirmation) |
| 13 | 64A-09231-00-00 | INTAKE MANIFOLD CLAMP | 1 | 45&60&OPEN |
| | F01-09231-00-00 | HOSE CLAMP | 1 | 30KM |

E7

STARTER

GTR



E7**STARTER**

| NO. | PART NO. | DESCRIPTION | GTR | |
|-----|-----------------|-----------------------------|-----|--|
| | | | | |
| 1 | 64A-08241-10-00 | L. COVER GASKET | 1 | |
| 2 | 61A-17131-00-00 | KICK START. SPINDLE COMP. | 1 | |
| 3 | 64A-17141-00-00 | KICK SPARTER SPRING | 1 | |
| 4 | 61A-17172-00-00 | KICK SPINDLE BUSH | 1 | |
| 5 | 61A-17211-00-00 | START. IDLE GEAR COMP. | 1 | |
| 6 | 61A-17224-00-00 | START. GEAR FRICTION SPRING | 1 | |
| 7 | 64A-01301-00-69 | L. COVER SILVER | 1 | |
| 8 | S-6700-06025-04 | SOCKET BOLT 6X25 | 9 | |
| 9 | S-4301-10140-00 | DOWEL PIN 10X14 | 2 | |
| 10 | 64A-01319-00-00 | AIR CONDUCTER | 1 | |
| 11 | S-4101-15283-24 | PLATE WASHER 15.5X28X1 | 1 | |
| 12 | S-4511-10150-00 | CIR-CLIP 15MM | 1 | |
| 13 | 61A-17221-00-00 | START. IDLE GEAR SHAFT | 1 | |
| 14 | 64A-17111-10-69 | KICK STARTER ARM | 1 | |
| 15 | S-6700-06020-04 | SOCKET BOLT 6X20 | 1 | |
| 16 | S-6701-06055-04 | SOCKET BOLT 6X55 | 1 | |
| 17 | S-6701-06035-04 | SOCKET BOLT 6X35 | 2 | |
| 18 | 61B-22200-00-00 | STARTING MOTOR ASSY. | 1 | |
| 19 | S-6700-06020-02 | SOCKET BOLT 6X20 | 2 | |
| 20 | S-4101-08165-24 | PLATE WASHER 8MM | 2 | |
| 21 | S-6130-00810-70 | NEEDLE BEARING HK0810 | 1 | |
| 22 | 61B-22311-00-00 | STARTER IDLE GEAR | 1 | |
| 23 | 64A-22341-00-00 | STARTER IDLE GEAR PLATE | 1 | |
| 24 | S-3500-06012-03 | PAN HEAD SCREW 6X12 | 2 | |
| 25 | 61G-01223-00-00 | ENG. HANGER RUB. BUSH | 1 | |
| 26 | S-6120-06003-40 | BALL BEARING 6003LU | 1 | |
| 27 | 61A-22321-00-00 | STARTOR GEAR SHAFT | 1 | |